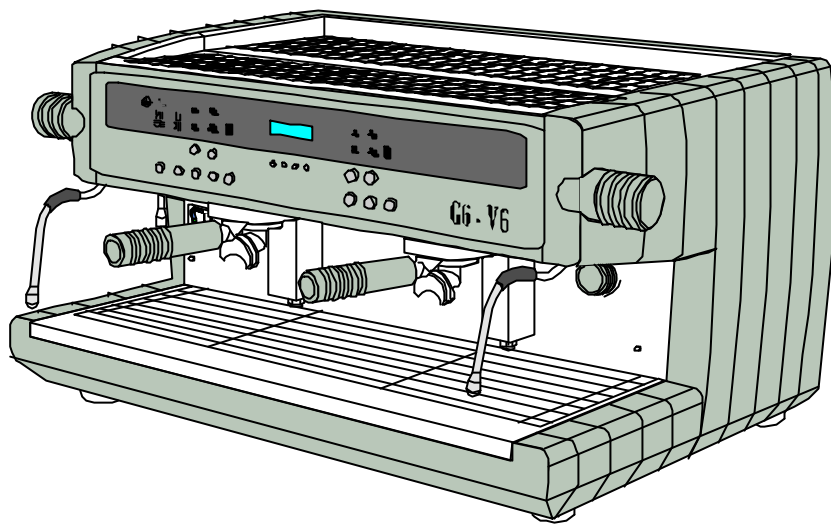


R  **S.A.T.**

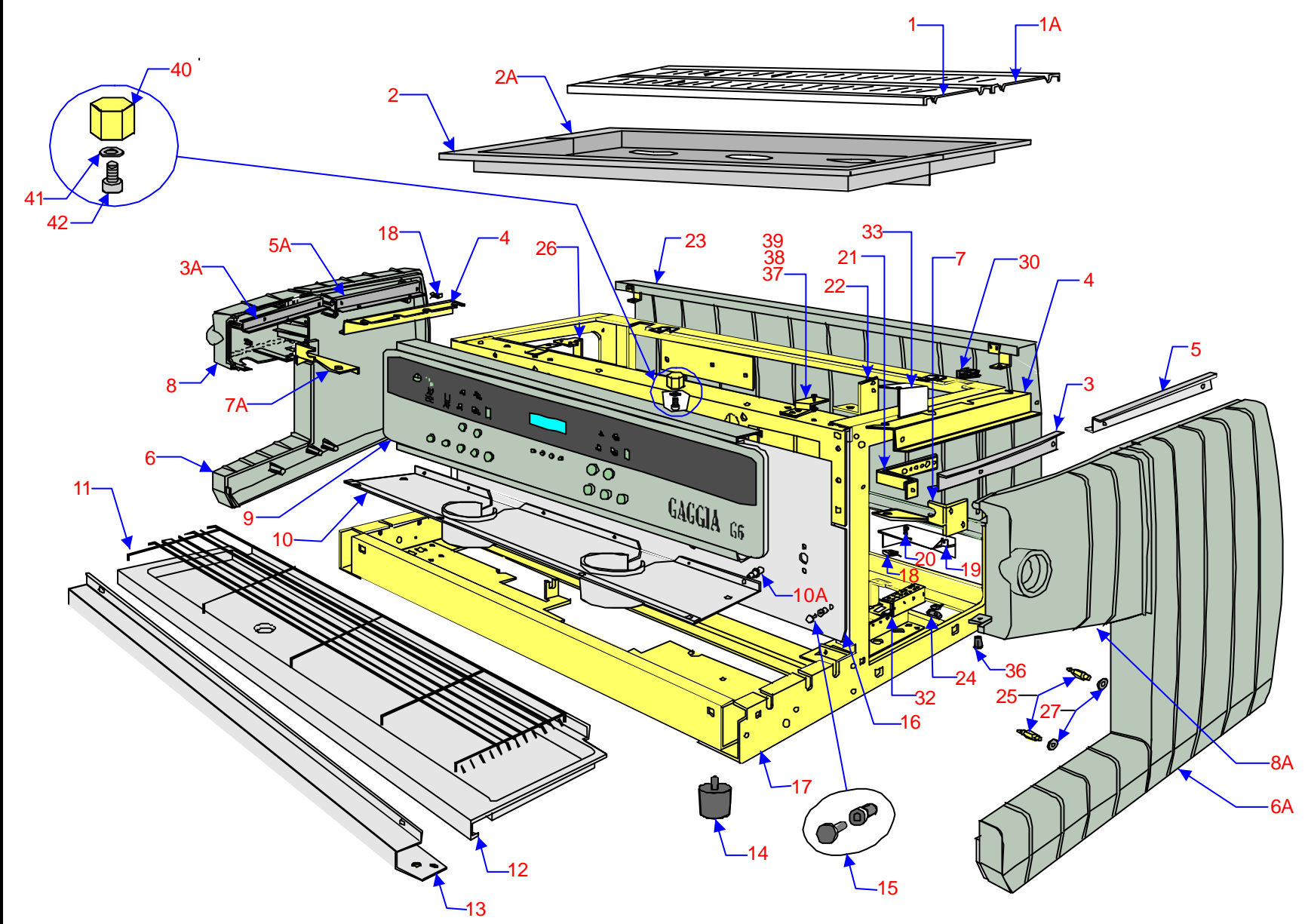


GAMA **G6/V6**
G6/V6 RANGE

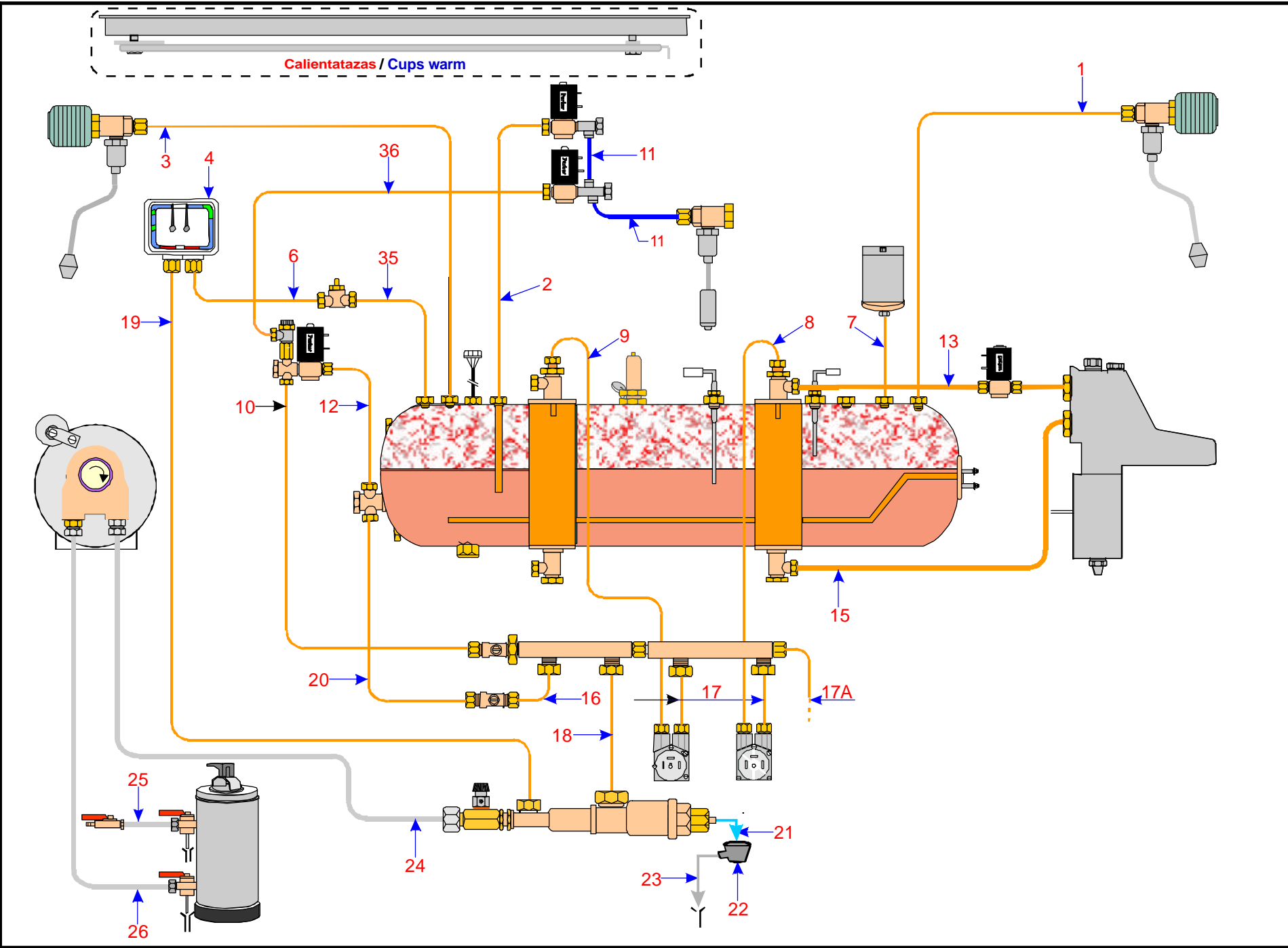
MANUAL DESPIECE
SPARE PARTS

INDICE
INDEX

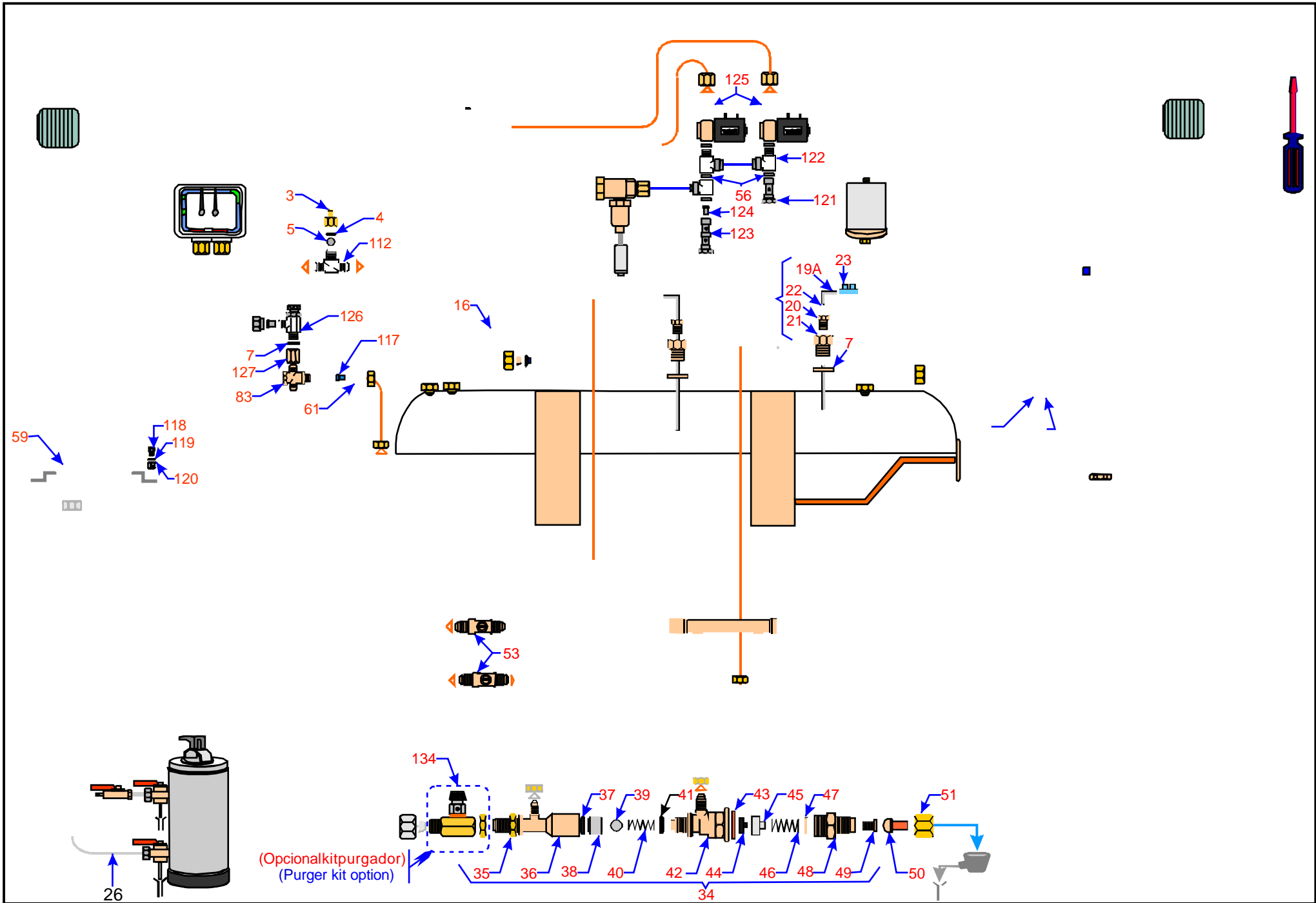
PAG. 1 < 7-,	CARROCERIA Y COMPLEMENTOS BODY WORK & COMPLEMENTS
PAG. 2 < 7-,	SISTEMA HIDRAHULICO HYDRAULIC SYSTEM
PAG. 3 < 7-,	CALDERA Y RACORDERIA BOILER & ACCESSORIES
PAG. 4 < 7-,	GRIFOS SERVICIO AGUA Y VAPOR HOT WATER & STEAM TAPS
PAG. 5 < 7-,	COMPLEMENTOS ELECTRICOS ELECTRIC – PARTS
PAG. 7 < 7-,	ACCESORIOS ACCESSORIES

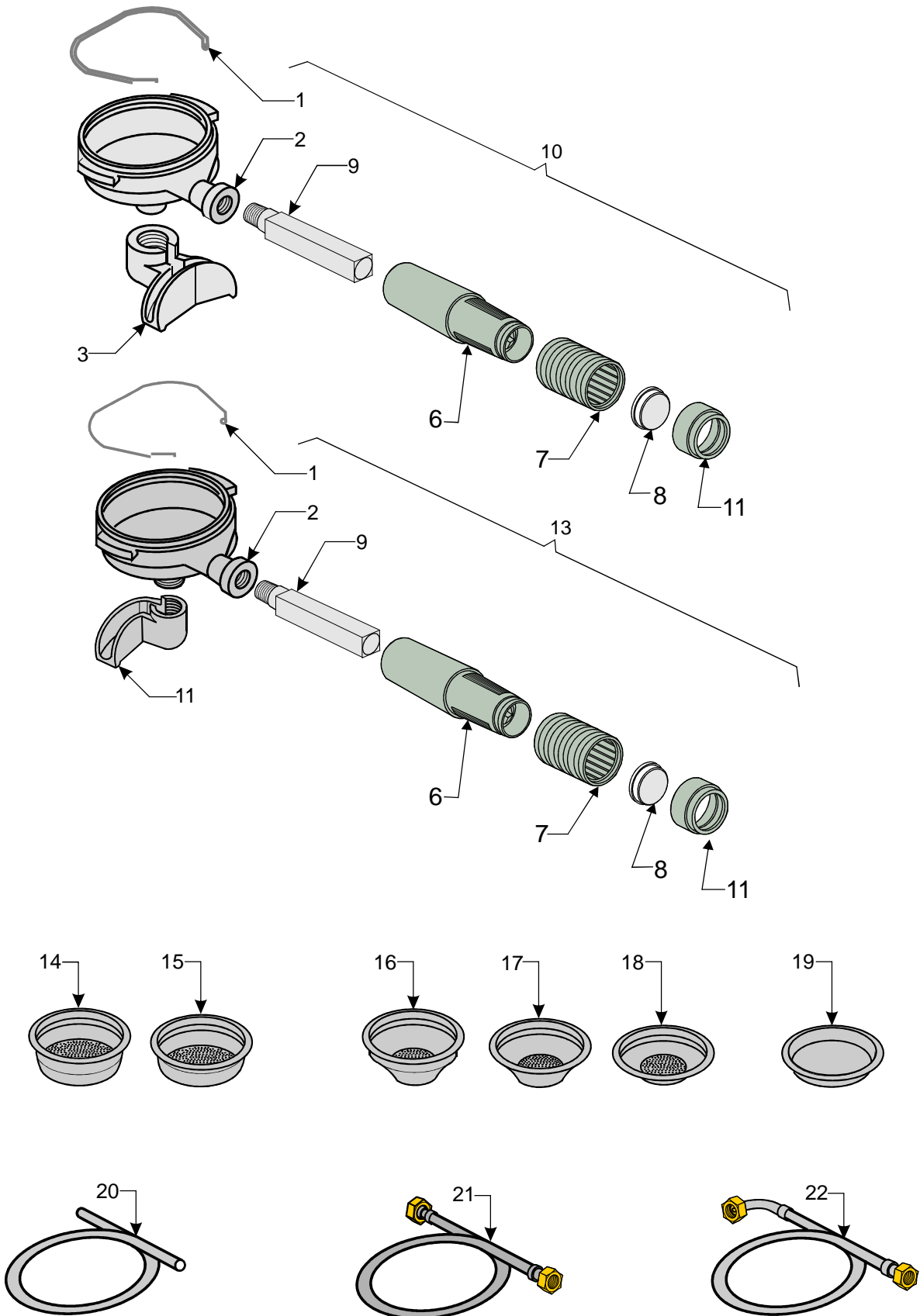


POS	DENOMINACION	DESCRIPTION	COMUN	2GR.	3GR.
1	Escurridor frontal	Front upper tray		08413300	08413400
1A	" trasero	Back " "		08412900	08413000
2	Bandeja apoyatazas delantera	Front upper tray		08412500	08412600
2A	" " trasera	Back " "		08420000	08420100
3	Lateral bandeja der. delantera	Front right lateral	08401200		
3A	" " izq. "	" left "	08401300		
4	Tirante superior der/izq.	Profile upper right/left	08400800		
5	Lateral bandeja der. trasera	Back right lateral	08401000		
5A	" " Izq. "	" left "	08401100		
6	Lateral izquierdo	Lateral left	08400300		
6	" " (Negro)	" " black color	08400310		
6A	" derecho	" right	08400200		
6A	" " (Negro)	" " black color	08400210		
7	Soporte grifos der.	Taps support left	08400910		
7A	" " izq.	" " right	08400900		
8	Soporte lateral grifos izquierdo	Taps lateral support left	08400700		
8	" " " " (Negro)	" " " " black color	08400710		
8A	" " " derecho	" " " right	08400600		
8A	" " " " (Negro)	" " " " black color	08400610		
9	Cj. Frontal electronica (Gaggia)	Taps profile electronic (Gaggia)		08422200	08222300
9	" " " (Visacrem)	" " " (visacrem)		08422600	08422700
9	" " " Display (Gaggia)	" " " display (Gaggia)		08422900	08423000
9	" " " " (Visacrem)	" " " " (Visacrem)		08423200	08423300
9	" " " grupotronic® (Gaggia)	" " " Grupotronic® (Gaggia)		08422950	08423050
9	" " " " (Visacrem)	" " " " (visacrem)		08423250	08423350
10	Cj. cobre grupos completo	Groups cover complet		08403500	08403600
10A	Tope carroceria	Body work stop	08334400		
11	Sobrebandeja	Upper tray		08327800	08327900
12	Bandeja desagüe	Dray tray		08404000	08404100
13	Faja chasis	Front lower profile		08402700	08402800
13	" " (Negro)	" " " Black color		08402750	08402850
14	Pie máquina	Machine foot	07468002		
15	Remache de plástico	Plactic rivet	08324900		
16	Panel frontal	Front profile		08402300	08402400
17	Chasis	Chassis		08300100	08300200
18	Tuerca autorroscante	Nut	05118400		
19	Tapa interruptor	Switch protención plate	08310300		
20	Tornillo	Screw	04591202		
21	Soporte termostato	Thermostat support	08196510		
22	Soporte presostato	Pressure switch support	08320310		
23	Cj. Carroceria posterior (Gaggia)	Back body wor (Gaggia)		08401500	08401600
23	" " " " (Negro)	" " " " Black color		08401510	08401610
23	" " " " (Visacrem)	" " " (Visacrem)		08413700	08413800
23	" " " " (Negro)	" " " " Black color		08413710	08413810
24	Muelle	Spring	08034308		
25	Arpon fijación lateral	Apear right / left	008188210		
26	Soporte manómetro	Pressure gauge support	08339600		
27	Arandela dentada	Washer	04318101		
30	Tuerca enjaulada	Fixed nut	05118500		
32	Disipador relé estatico	Energy disperser relay	08371200		
33	Protector antigoteo	Antidropping protector	08388400		
36	Tuerca nylon	Nut	04595900		
37	Soporte bandeja	Tray support	08388300		
38	Tornillo c/al. M.5 x25	Screw	04593200		
39	Tuerca de bloqueo	Nut	04326000		
40	Columna soporte bandeja	Tray support column	08426300		
41	Arandela plana	Washer	07410319		
42	Tornillo M4.x12	Screw	05194402		



POS	DENOMINACION	DESCRIPTION	COMÚN	2GR	3GR.
1	Tube grifo vapor derecho	Tube right steam tap	08420800		
2	Tube salida agua caliente	Tube water outlet	08420700		
3	Tube grifo vapor izquierdo	Tube left steam tap	08347200		
4	Manómetro doble escala	Pressure gauge double scale	08405500		
6	Tube manómetro caldera	Tube tank - pressure gauge	08384800		
7	Tube presostato	Tube pressure gauge	08151607		
8	Tube contador a T.T. 2º gr.	Tube 2 nd gr.. flowmeter	08308300		
8	Tube contador a T.T. 3º gr.	Tube 3 nd gr.flowmetert			08308400
9	Tube contador a T.T.1ºgr.	Tube 1gr. flowmeter	08308200		
10	Tube grifo red mezclador	Tube mixer hot water	08420500		
11	Tube teflón válvulas mezclad.	Tube teflón	67615608060		
12	Tube electrov. NE a racord	Tube electric level to fitting	08309700		
13	Tube entrada grupo	Tube inlet	08307700		
13A	“ “ “ (Electrov.)	“ “ (electric level)	08415200		
15	Tube retorno grupo	Tube group outlet	08307800		
16	Tube colector a grifo entrada	Tube collector to tap inlet	08309800		
17	Tube contador a colector	Tube flowmeter collector	08347600		
17A	Tube contador a colector	Tube flowmeter collector			08347500
18	Conjunto válvulas a colector	Tube collector valve	08343900		
19	Tube manómetro red	Tube pump -pressure gauge	08116510		
20	Tube grifo entrada a racord	Tube tap inlet to fitting	08442200		
21	Tube silicona 6 x 9	Tube silicone	67613609063		
22	Cubeta desagüe	Drain cup	0271/050106		
23	Tube desagüe	Outlet pipe	08020703		
24	Tube salida bomba	Tube pump outlet	08341600		
25	Tube entrada agua red	Tube inlet water	0571/050108		
26	Tube entrada bomba	Tube pump inlet	0551/050112		
35	Tube manómetro caldera	Tube boiler pressure gauge	08384700		
36	Tube grifo mezclador	Tube mixer tap	08420600		





POS	DENOMINACION	DESCRIPTION	REFERENCE
1	Muelle	Spring	11214301
2	Cuerpo portafiltro	Filter holder	11252202
3	Pitorro 2 vias	Dispense nozzle- 2 cup	08366700
6	Mango porta	Holder handle	08412000
6	“ “ Negro	“ “ black color	08412010
7	Embellecedor mango	Holder handle protector	08412100
7	“ “ Negro	“ “ black color	08412110
8	Tapeta mango porta	Holder handle sticker	08412300
9	Eje mango porta	Holder handle rod	08335800
10	Cj porta filtros 2 cafés	Compleat filter holder assy , 2 coffee	08411900
10	“ “ Negro	“ “ black color	08411910
11	Tapa mango porta	Holder handle sticker	08412200
11	“ “ Negro	“ “ back color	08412210
12	Pitorro 1 via curvo	Dispense nozzle – 1 cup	08366600
13	Cj. Porta filtro 1 café	Compleat filter holder assy , 1 coffee	08411800
13	“ “ Negro	“ “ black color	08411810
14	Cacillo 2 cafés grande	Filter 2 coffee Large	02199404
15	Cacillo 2 cafés pequeño	Filter 2 coffee little	01657501
16	Cacillo 1 café grande	Filter 1 coffee large	02183002
17	Cacillo 1 café pequeño	Filter 1 coffee little	01441807
18	Cacillo 1 café pequeño especial	Filter 1 coffee little special	08207102
19	Cacillo ciego	Blind filter	02190205
20	Tubo desagüe	Qutlet pipe	08020703
21	Tubo entrada 3/8 - 710	Water inlet pipe 3/8 - 710	0571/050108
22	Tubo entrada 3/8 - 1600	Water inlet pipe 3/8 - 1600	0551/050112